



Pump Model - version

EUROINOX 30-50 M - N.2.- -

Attention: check the correspondence with the serial number of the pump.

Company Name
Contact
Telephone
FAX
E-Mail address

Receiver

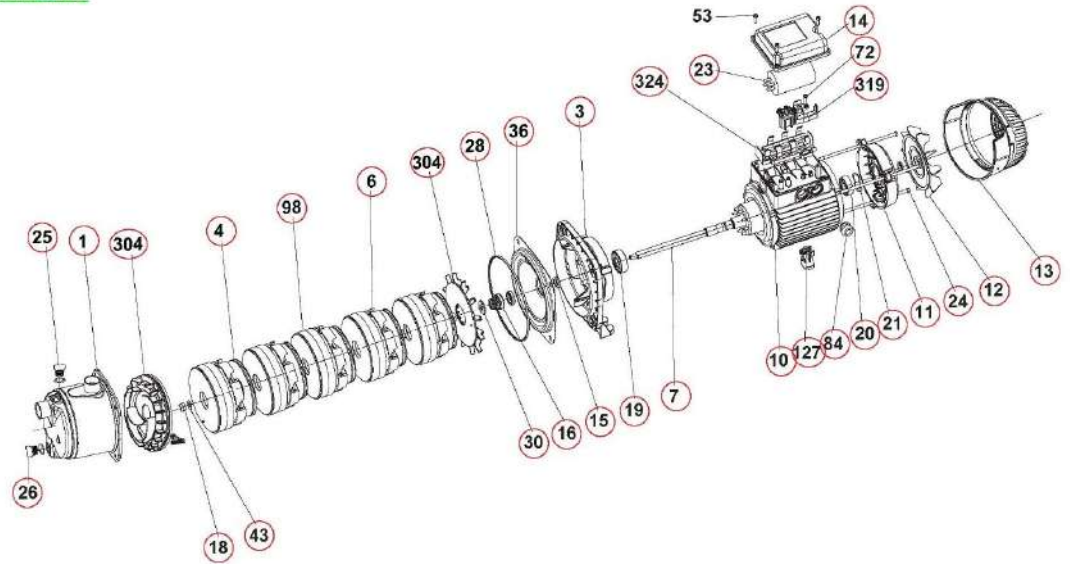
From

EUROINOX 30-50 M - N.2.- - @ 102970260_c

EUROINOX 30-50 M @ 102970260

Item	Quant	Item no.	Description	Unit pr.
1	1	148121100	SP.P. PUMP BODY	On req.
10	1	130645580	SP.P.MOTOR MEC63 H80 01 220/240/50	On req.
11	1	164030010	MEC63 D.35 MOTOR COVER	On req.
12	1	160760230	FAN MEC63	On req.
127	1	161560180	MOTOR FOOT MEC 63	On req.
13	1	164260090	FAN COVER MEC63/01	On req.
14	1	164060410	TERMINAL BOX COVER	On req.
15	1	002210558	V-RING D.13,5-15X5,5H	On req.
16	1	148620490	COMPLETE MECH.SEALD.15	On req.
18	1	002520633	HEX.NUT AUTOB.M8 INOX A4 UNI7474	On req.
19	1	002310102	6202-2RSH D.15X35X11 BEARING	On req.
20	1	002310102	6202-2RSH D.15X35X11 BEARING	On req.
21	1	002570001	LMKAS D.35B THRUST WASHER	On req.
23	1	002710002	12,5UFX 450V CAPACITOR MAX D.45X75MM	On req.
24	3	167100020	MEC 80 M5 X 148 MOTOR TIE ROD	On req.
25	1	147120340	PRIMING PLUG 3/8" GAS +O-RING	On req.
26	1	147120340	PRIMING PLUG 3/8" GAS +O-RING	On req.
28	1	002220377	OR-4600 151,99X 3,53 NBR	On req.
3	1	161430050	MOTOR SUPPORT MEC 63	On req.
30	1	168300150	SEAL WASHER A.316	On req.
304	1	161060560	REAR DISC	On req.
305	1	142860070	SP.P. FLANGE	On req.
319	1	146860000	PREMON.MORSET-FERMAC.	On req.
324	1	168560331	CAPACITOR LOCKER MEC63-71	On req.
36	1	161000290	DISC SEAL.A.304	On req.
4	3	150761091	IMPELLER A316 GFN2	On req.
43	1	002523059	WASHER 8,4X17AISI316UNI6592	On req.
6	3	162860480	DIFFUSOR NORLY	On req.

NON INTERACTIVE



Project	Project ID	Created by	Created on 2011-01-06	Last update
---------	------------	------------	--------------------------	-------------



Pump Model - version

EUROINOX 30-50 M - N.2.- -

Attention: check the correspondence with the serial number of the pump.

Company Name
Contact
Telephone
FAX
E-Mail address

Receiver

From

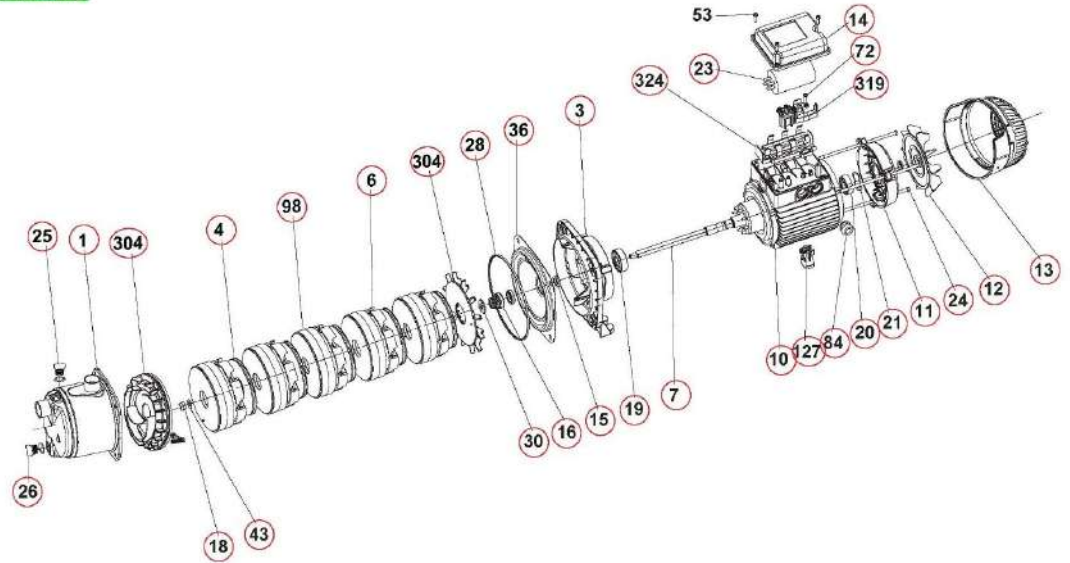
Serial Number

EUROINOX 30-50 M - N.2.- - @ 102970260_c

EUROINOX 30-50 M @ 102970260

Item	Quant	Item no.	Description	Unit pr.
7	1	145003200	SP. P. SHAFT W/ROT.	On req.
84	1	168560310	OPEN CABLE GLAND	On req.
98	3	161360480	DIFFUSER BODY -NORYL	On req.

IRON INTERACTIVE



Project

Project ID

Created by

Created on
2011-01-06

Last update